

4

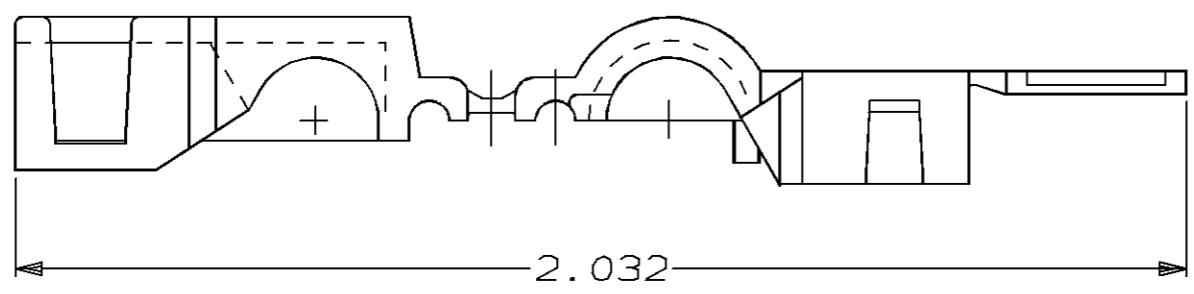
3

2

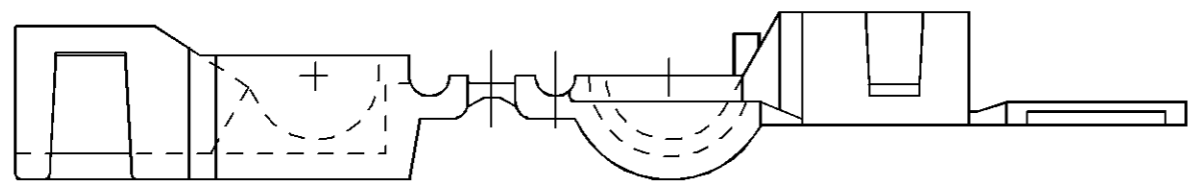
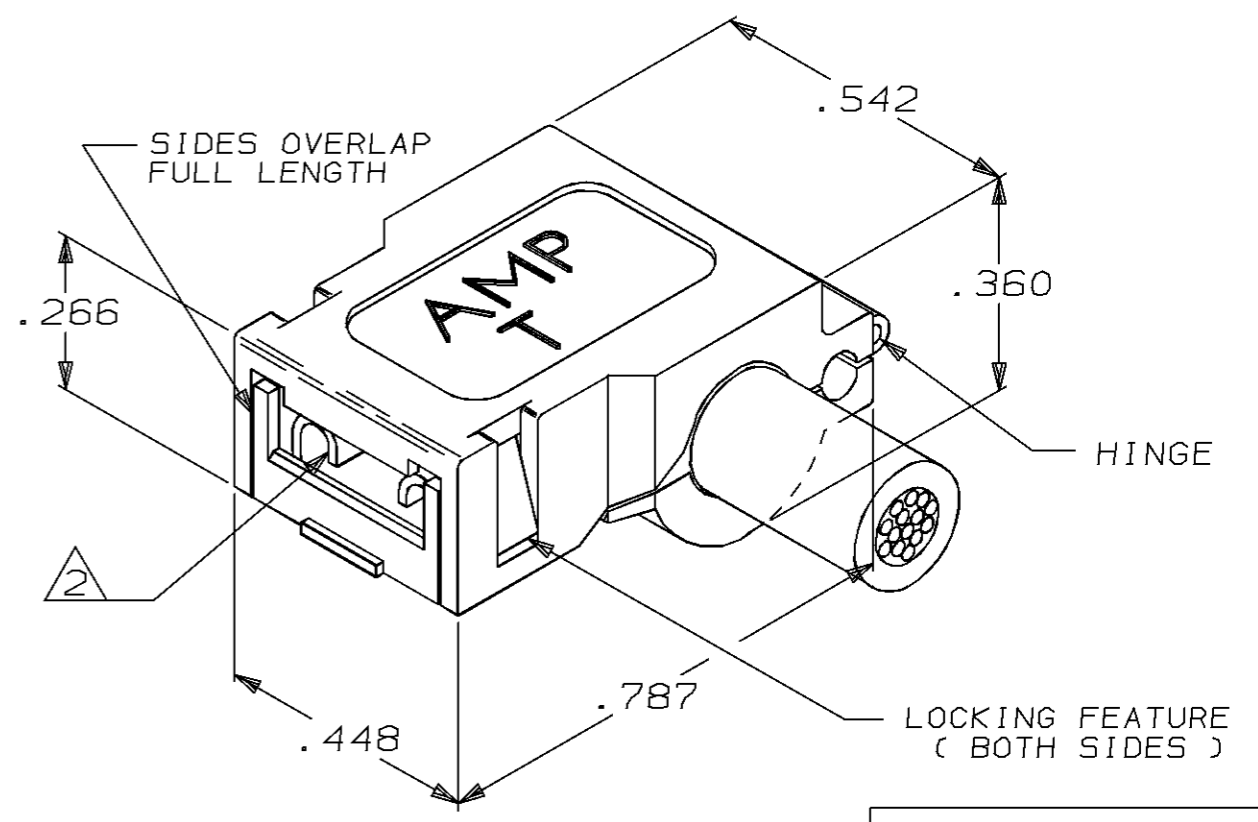
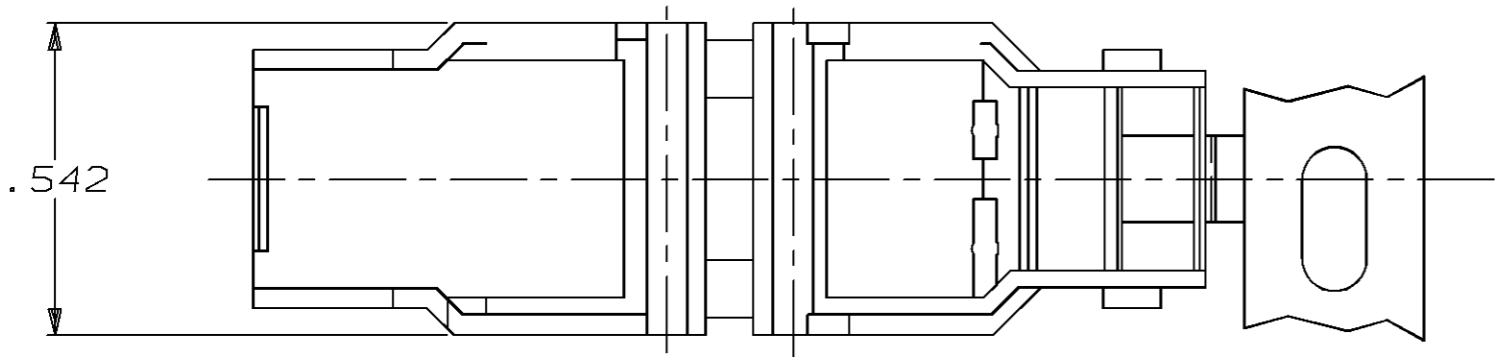
1

THIS DRAWING IS UNPUBLISHED. RELEASED FOR PUBLICATION ,19 .
 © COPYRIGHT 19 BY AMP INCORPORATED. ALL RIGHTS RESERVED.

LOC	DIST	REVISIONS				
P	LTR	DESCRIPTION	DATE	DWN	APVD	
AF	50	P				
		P	REDRAWN PER 0L10-0046-97	2/11/97	JR RB	



- 1 CONTINUOUS STRIP ON REELS.
- 2 THIS PART ACCEPTS .250 SERIES FASTON FLAG RECEPTACLES PART NUMBERS 41531, 41532, 42511, 60641 AND 60645.
- 3 SEE CP-23587 FOR RECOMMENDED TAB DETAILS.
- 4 UL RATING OF 125°C
- 5 MAX INSULATION IS .210.



1-480298-0
PART NO.

THIS DRAWING IS A CONTROLLED DOCUMENT.		DWN	JR RUTH	1/24/97	AMP AMP Incorporated Harrisburg, PA 17105-3608
		CHK	MS FEHER	1/24/97	
		APVD	R BEAVER	1/24/97	NAME
DIMENSIONS: INCHES		TOLERANCES UNLESS OTHERWISE SPECIFIED:		PRODUCT SPEC	
		0 PLC	±-	APPLICATION SPEC	
		1 PLC	±-	WEIGHT	
		2 PLC	±-	SCALE	
		3 PLC	±.015	SHEET	
		4 PLC	±-	REV	
MATERIAL 6/6 NYLON		FINISH NATURAL		RESTRICTED TO	
				A3 00779 C-480298	
		CUSTOMER DRAWING		SCALE 4:1 SHEET 1 OF 1	

INSULATION POD, AMPIP-POST